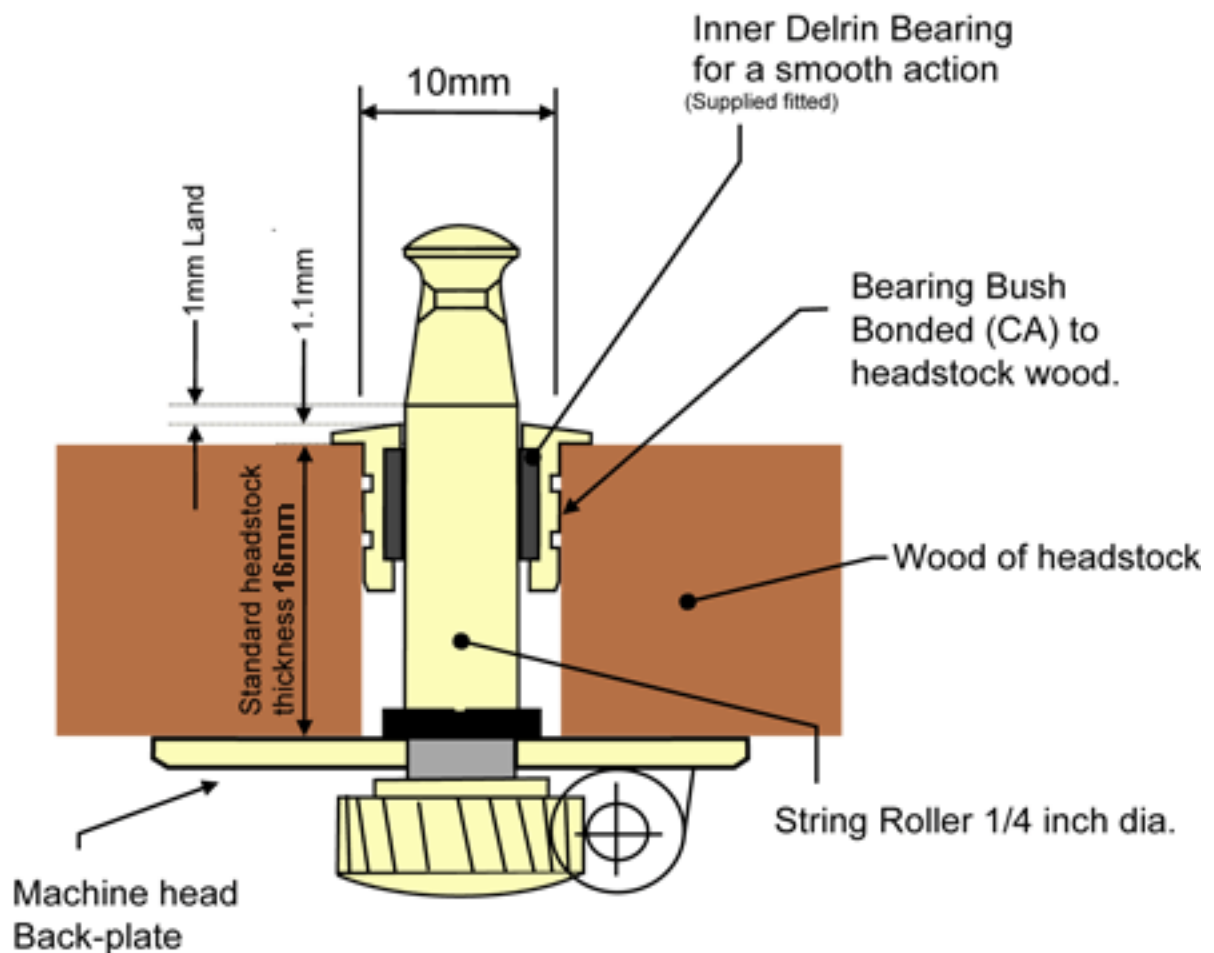


## Fitting Instructions for Solid Head Steel String Guitar.



Cross-section of headstock string roller assembly.  
Showing brass bush inside headstock.