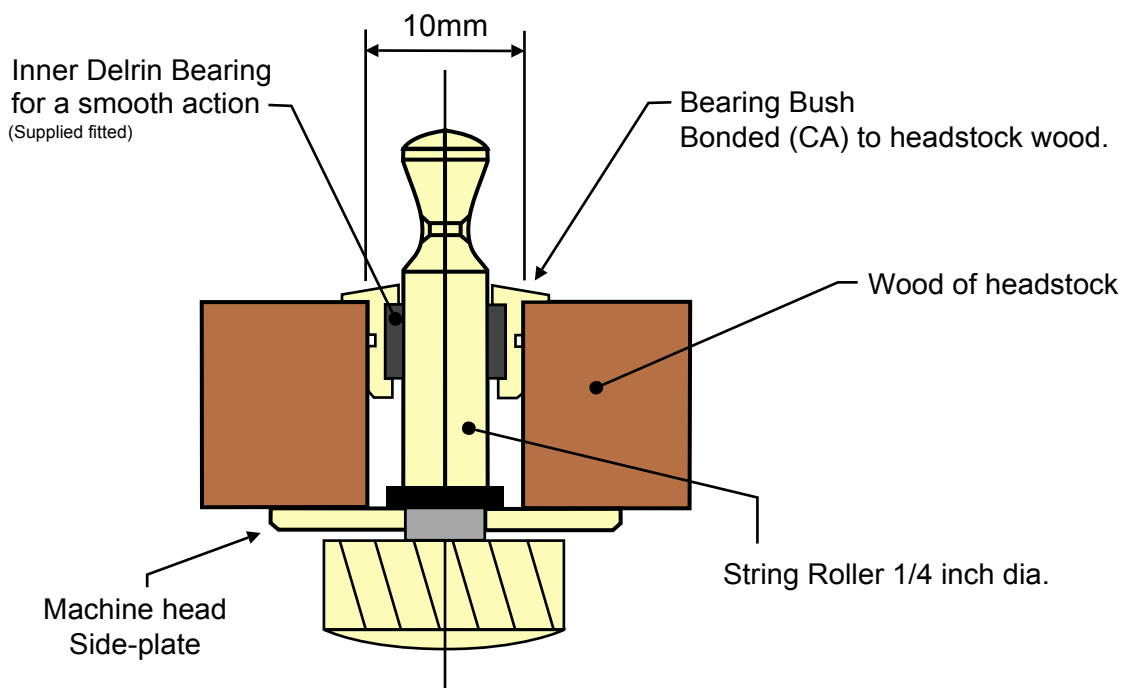


Fitting Instructions for Solid Head Steel String Guitar.



Cross-section of headstock string roller assembly.
Showing brass bush inside headstock.